

- Classical styling
- Choice of luxury brass and chrome plate finish
- Patented uniform luminance legend panel
- Adjustable chain suspension
- Optional suspension tube kit included
- EasiCheck™ and Intellem self-test options
- Available in self-contained, AC/DC and AC mains slave versions

Royalux offers the latest automatic testing and legend technology, but without losing the popular traditional styling. The high lustre brass or chrome plated finish and elegant bevelled design make Royalux ideal for prestigious locations, such as hotels, boardrooms and theatres. To this is added a patented variable pitch dot, screen printed legend panel. Advanced automatic test options permit the styling of Royalux to be employed in applications where ease of testing is paramount.



WHERE TO USE ROYALUX

- Offices
- Boardrooms
- Reception areas
- Foyers and atria
- Hotels and pubs
- Restaurants
- Theatres
- Leisure clubs
- Retail

LAMP OPTIONS

- 8W T5 fluorescent, 3500°K - G5 cap



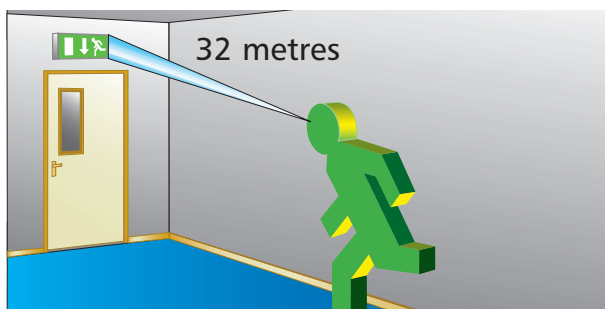
MATERIALS

- Body and mounting plate - steel aluminium frame, cover with brass or chrome plating. ABS end caps
- Suspension chain and tubes - steel with brass or chrome plate
- Legend panel - clear acrylic with patented variable pitch dot, screen print
- Batteries (self-contained versions) - sealed nickel cadmium

INSTALLATION NOTES

- Suitable for wall or ceiling mounting
- Mounting plate direct screw fixed with rear cable entry
- 2 x 1000mm chain links supplied, adjustable on site
- Optional suspension tube kit included
- Power supply cable linking body to mounting plate supplied
- Legend locates onto pegs behind cover plate of body
- Cover plate screws onto body obscuring fixings
- Supplied complete with 1 x 8W lamp

MAXIMUM VIEWING DISTANCE



OPTIONS

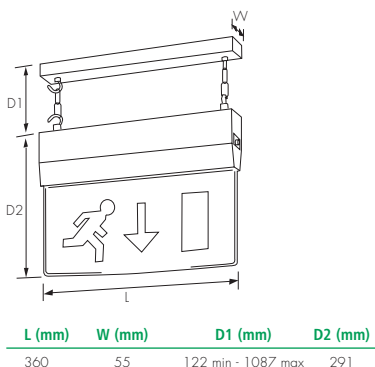
- Maintained and non-maintained, 3 hour duration
- Intellem self test. Technology detailed on page 206
- EasiCheck™ addressable testing. System detailed on page 199
- Central system slave versions
- Choice of legend panels

SPECIFICATION

Self contained - To specify state: Edge-lit self contained emergency sign, with adjustable suspension chain, brass/chrome finish and legend panels with variable pitch dot screen printing, fully compliant with EN1838, as JSB Royalux range, part no. _____

Self-test/Slave - To specify state: Intelligent self-testing/Central system slave, edge-lit emergency sign, with adjustable suspension chain, brass/chrome finish and legend panels with variable pitch dot screen printing, fully compliant with EN1838, as JSB Royalux range, part no. _____

DIMENSIONS



CATALOGUE NUMBERS

System Mode	Brass Finish	Chrome Finish	Weight (kg)
Royalux luminaire - order legend panel separately			
Non-maintained	RLXN	RLXNCH	2.00
Maintained	RLXM	RLXMCH	2.10
Intellem Self-Check - Maintained	RLXMIS	RLXMCHIS	2.10
24V AC/DC Central system slave	RLX24	RLX24CH	1.70
50V AC/DC Central system slave	RLX50	RLX50CH	1.70
110V AC/DC Central system slave	RLX110	RLX110CH	1.70
230V AC Static inverter system slave	RLX230	RLX230CH	1.70
Description	Pictogram	Cat. No.	Weight (kg)
Legend panel			
Down arrow - single sided		MAAD	0.75
Left arrow - single sided		MAAL	0.75
Right arrow - single sided		MAAR	0.75

Also available with EasiCheck™ automatic testing functionality - see page 199 for system features
Contact our Technical Support and Application department for further details - 01302 303350



Royalux mounted using suspension tubes